

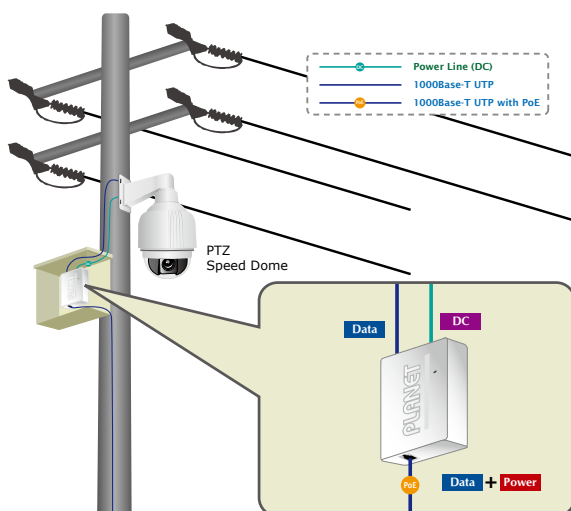
IEEE 802.3at Gigabit High Power over Ethernet Splitter



PLANET has released a next-generation Power over Ethernet Splitter product, POE-162S, compliant with brand-new IEEE 802.3at High Power over Ethernet standard that supports a maximum of 25.5 watts of input power. The POE-162S provides the following key features:

- IEEE 802.3at Power over Ethernet Standard Compliance
- 12V / 24V DC Power Output Through DIP Switch
- Passive 10/100/1000Mbps Duplex Mode Support
- Quick and Easy High Power PoE Network Deployment

The POE-162S is the IEEE 802.3at High Power over Ethernet Splitter that can split the 52 ~ 56V DC over the Ethernet cable into selectable 12V or 24V DC power output. It is designed specifically to meet the growing demand for higher power required network equipment such as PTZ (Pan, Tilt & Zoom) network cameras, PTZ speed dome camera, color touch-screen / video and voice over IP (VoIP) telephones, multi-channel (11a / b / g / n) wireless LAN access points and other network devices that need to work normally by higher power feeding than power via current IEEE 802.3af PoE standard. The POE-162S High Power Splitter is an ideal solution to transferring power to the network device with high power demand directly via the RJ-45 port interface without the need to install power outlets and electrical cabling.



Interface

- 2-Port RJ-45 interfaces
 - 1-Port PoE Power+ Data input
 - 1-Port Data output
- 1 DC output plug connector

PoE

- Complies with IEEE 802.3at Power over Ethernet PD
- Splits the 52 ~ 56V DC power over RJ-45 Ethernet cable into DC 12V / 24V output
- Up to 1 non-IEEE 802.3at device can be powered
- Auto-detects PoE IEEE 802.3at equipment and protects devices from being damaged by incorrect installation
- Adjustable two different output voltage options (12V / 2A, 24V / 1A) to fit various devices
- Distance up to 100 meters

Hardware

- Plastic case
- 12V / 24V DIP switch
- LED indicators power input indication

Standard Compliance

- IEEE 802.3 10Base-T
- IEEE 802.3u 100Base-TX
- IEEE 802.3ab 1000Base-T
- IEEE 802.3at Power over Ethernet standard
- FCC Part 15 Class A, CE

Quick and Easy High Power PoE Network Deployment

The POE-162S (Splitter) can work with the IEEE 802.3at Gigabit Power over Ethernet devices like the POE-161, High Power PoE Switch and Media Converter (Injector, insert DC voltage into Cat.5/5e/6 cable) to transfer data and power simultaneously into the end device. The POE-161, High Power Switch and Media Converter can combine the Ethernet digital data with power over the twisted pair cables as an IEEE 802.3at Gigabit Power over Ethernet Injector. The POE-162S separates the digital data and the power into 12V / 24V DC power outputs. The maximum distance between the high power PoE injector and the splitter (POE-162S) is 100 meters. Unlike the current Power over Ethernet Splitter, the POE-162S also supports passive 10/100/1000Mbps Ethernet connection ability.

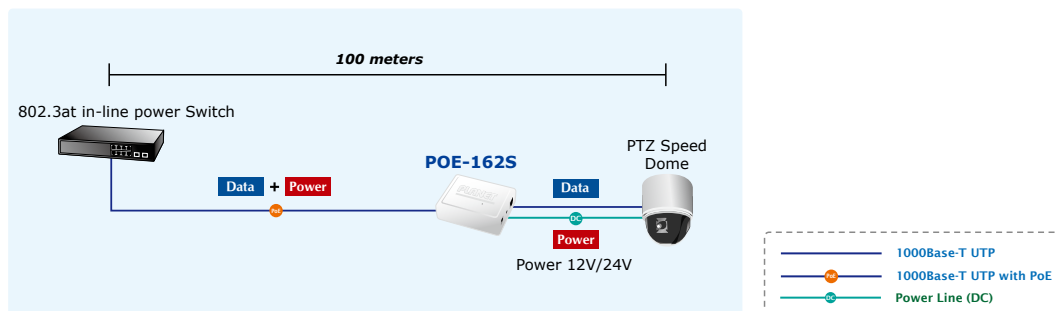
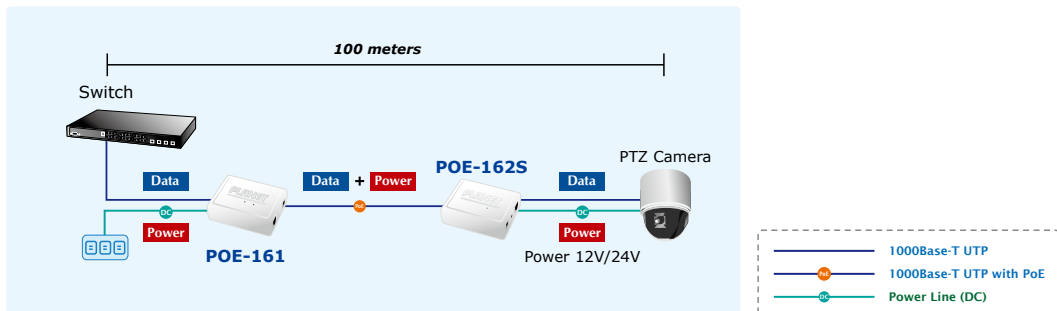


With IEEE 802.3at Gigabit High Power over Ethernet devices installed, the system administrator only has to use one single RJ-45 Ethernet cable to carry both power and data to each device. Besides, to connect through the high power PoE injector and the POE-162S, you could also have benefits including cost saving, easier for networking planning and higher reliability. Upon IEEE 802.3at compliant devices are installed, the high power PoE injector working together with the POE-162S can make the connection while migrating or splitting the power and the Ethernet digital packets.

Application

Installation of IEEE 802.3at Injector and Splitter

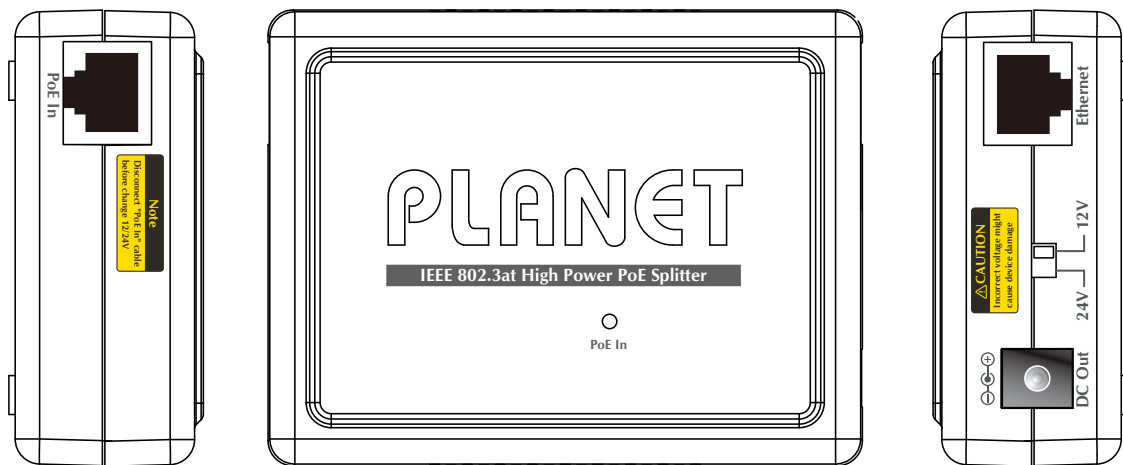
Due to the capability of IEEE 802.3at standard, the POE-162S can co-work with the IEEE 802.3at Gigabit PoE injector devices like POE-161, High Power Switch or High Power Media Converter and transform non-PoE equipment to IEEE 802.3at PoE application. For a place which is hard to find the power inlet, the High Power PoE devices and the POE-162S operate as a pair. It provides the easiest way to power your Ethernet devices that need high power input, such as PTZ (Pan, Tilt & Zoom) network cameras, PTZ speed dome camera, color touch-screen voice over IP (VoIP) telephones, and multi-channel wireless LAN access points.



Specifications

Model	POE-162S	
Hardware Specifications		
Interface	“PoE (Power + Data)” Input Port	1 x RJ-45 STP
	“Data” Output Port	1 x RJ-45 STP
	DC Out Plug Connector	1
LED Indicator	System: PoE In x 1 (Green)	
Network Cable	10Base-T: 2-Pair UTP Cat. 3, 4, 5, up to 100m (328ft)	
	100Base-TX: 2-Pair UTP Cat. 3, 4, 5, up to 100m (328ft)	
	1000Base-T: 2-Pair UTP Cat. 5, 5e, 6 up to 100m (328ft)	
	EIA/TIA- 568 100-ohm STP (100m)	
Data Rate	10/100/1000Mbps (varies on Ethernet device attached)	
DIP Switch	12V DC / 24V DC output voltage	
Power Input	802.3at PoE 52 ~ 56V DC	
Power over Ethernet		
PoE Standard	IEEE 802.3at High Power over Ethernet	
Number of client device can be powered	1	
Power Output	12V DC, 2A max.	
	24V DC, 1A max.	
DC Plug connectors (Diameter)	2 external female plug cables: – 5.5 / 2.5mm to 5.5 / 2.5mm	
	– 5.5 / 2.5mm to 5.5 / 2mm	
Standards Conformance		
Standards Compliance	IEEE 802.3 10Base-T Ethernet IEEE 802.3u 100Base-TX Fast Ethernet IEEE 802.3ab 1000Base-T Gigabit Ethernet IEEE 802.3at High Power over Ethernet	

Diagram



Ordering Information

POE-162S IEEE 802.3at Gigabit High Power over Ethernet Splitter

Related Product

POE-161 IEEE 802.3at Gigabit High Power over Ethernet Injector (Mid-Span)

PLANET Technology Corporation

11F., No.96, Minquan Rd., Xindian Dist., New Taipei City
231, Taiwan (R.O.C.)
Tel: 886-2-2219-9518 Fax: 886-2-2219-9528
Email: sales@planet.com.tw www.planet.com.tw



PLANET reserves the right to change specifications without prior notice. All brand names and trademarks are property of their respective owners. Copyright © 2014 PLANET Technology Corp. All rights reserved.

C-POE-162S