

10Gb/s DWDM SFP+ 40km Transceiver

PRODUCT FEATURES

- Up to 11.1Gbps Data Links
- Up to 40km transmission on SMF
- DWDM EML Laser and PIN receiver
- Metal enclosure, for lower EMI
- 2-wire interface with integrated Digital Diagnostic monitoring
- Hot-pluggable SFP+ footprint
- Specifications compliant with SFF 8472
- Compliant with SFP+ MSA with LC connector
- Single 3.3V power supply
- Case operating temperature range:0°C to 70°C
- Power dissipation < 1.5W

APPLICATIONS

- 10GBASE-ER/EW
- 40 km 10G Fiber Channel
- 10G Ethernet with FEC

DESCRIPTION

The our transceivers include an PIN photo detector diode and temperature stabilized DFB-EML transmitter. Digital diagnostic functions are available via an I2C. This module is designed for single mode fiber and operates at a nominal wavelength of 100GHz ITU Grid, C Band DWDM wavelength.

I . Absolute Maximum Ratings

Parameter	Symbol	Min.	Typ.	Max.	Unit	Note
Storage Temperature	Ts	-40	-	85	°C	
Relative Humidity	RH	5	-	95	%	
Power Supply Voltage	VCC	-0.3	-	4	V	
Signal Input Voltage		Vcc-0.3	-	Vcc+0.3	V	

II. Recommended Operating Conditions

Parameter	Symbol	Min.	Typ.	Max.	Unit	Note	
Case Operating Temperature	Tcase	0	-	70	°C	Without air flow	
Power Supply Voltage	VCC	3.14	3.3	3.47	V		
Power Supply Current	ICC	-		450	mA		
Data Rate	BR		10.3125		Gbps		
Transmission Distance	TD		-	40	km		
Coupled fiber		Single mode fiber					9/125um SMF

III. Optical Characteristics

Parameter	Symbol	Min	Typ	Max	Unit	NOTE
Transmitter						
Average Optical Power	P _{out}	-1		3	dBm	1
Optical Wavelength	λ_c	$\lambda_c - 0.1$		$\lambda_c + 0.1$	nm	
Center Wavelength Spacing			100		GHz	2
Optical Extinction Ratio	ER	6			dB	
Transmitter and Dispersion Penalty	TDP			3.0	dB	
Side mode Suppression ratio	SMSR	30			dB	
Average Launch Power(Laser Off)	P _{off}			-30	dBm	
Output Eye Mask	Compliant with IEEE 802.3ae					
Receiver						
Rx Sensitivity	R _{SENS}			-15.8	dBm	3
Input Saturation Power (Overload)	P _{sat}	0.5			dBm	
Wavelength Range	λ_c	1270		1610	nm	
LOS De -Assert	LOSD			-19	dBm	
LOS Assert	LOSA	-28			dBm	
LOS Hysteresis		0.5			dB	

Notes:

- Output power is power coupled into a 9/125 mm single-mode fiber.
- Corresponds to approximately 0.8 nm.
- Measured with a PRBS $2^{31} - 1$ test pattern, @ 10.325Gb/s, BER < 10^{-12} .

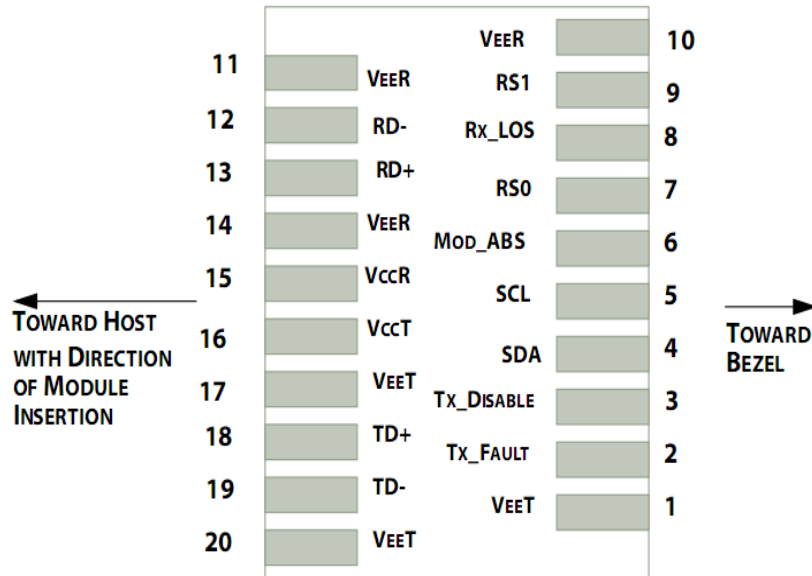
IV. Electrical Characteristics

Parameter	Symbol	Min	Typ	Max	Unit	NOTE
Supply Voltage	V _{cc}	3.14	3.3	3.46	V	
Supply Current	I _{cc}			450	mA	
Transmitter						
Input differential impedance	ohm		100		Ω	1
Differential data input swing	V _{in,pp}	120		850	mV	
Transmit Disable Voltage	VD	V _{cc} -1.3		V _{cc}	V	
Transmit Enable Voltage	VEN	V _{ee}		V _{ee} + 0.8	V	2
TX_FAULT Voltage-High		V _{cc} -1.3		V _{cc}	V	
TX_FAULT Voltage-Low		V _{ee}		V _{ee} + 0.8	V	
Transmit Disable Assert Time				10	us	
Receiver						
Differential data output swing	V _{out,pp}	350		850	mV	3
Data output rise time	tr	30			ps	4
Data output fall time	tf	30			ps	4
LOS Fault	VLOS fault	V _{cc} -1.3		V _{cc} HOST	V	5
LOS Normal	VLOS norm	V _{ee}		V _{ee} +0.8	V	5

Notes:

1. Connected directly to TX data input pins. AC coupled thereafter.
2. Or open circuit.
3. Into 100 ohms differential termination.
4. These are unfiltered 20-80% values
5. Loss Of Signal is LVTTL. Logic 0 indicates normal operation; logic 1 indicates no signal detected.

V. Pin Descriptions



Pin out of Connector Block on Host Board

Pin	Symbol	Name/Description	NOTE
1	V_{EET}	Transmitter Ground (Common with Receiver Ground)	1
2	T_{FAULT}	Transmitter Fault.	2
3	T_{DIS}	Transmitter Disable. Laser output disabled on high or open.	3
4	SDA	2-wire Serial Interface Data Line	4
5	SCL	2-wire Serial Interface Clock Line	4
6	MOD_ABS	Module Absent. Grounded within the module	4
7	RS0	Rate Select 0	5
8	LOS	Loss of Signal indication. Logic 0 indicates normal operation.	6
9	RS1	No connection required	1
10	V_{EER}	Receiver Ground (Common with Transmitter Ground)	1
11	V_{EER}	Receiver Ground (Common with Transmitter Ground)	1
12	RD-	Receiver Inverted DATA out. AC Coupled	
13	RD+	Receiver Non-inverted DATA out. AC Coupled	
14	V_{EER}	Receiver Ground (Common with Transmitter Ground)	1
15	V_{CCR}	Receiver Power Supply	
16	V_{CCT}	Transmitter Power Supply	
17	V_{EET}	Transmitter Ground (Common with Receiver Ground)	1
18	TD+	Transmitter Non-Inverted DATA in. AC Coupled.	
19	TD-	Transmitter Inverted DATA in. AC Coupled.	
20	V_{EET}	Transmitter Ground (Common with Receiver Ground)	1

Notes:

1. Circuit ground is internally isolated from chassis ground.
2. T_{FAULT} is an open collector/drain output, which should be pulled up with a 4.7k – 10k Ohms resistor on the host board if intended for use. Pull up voltage should be between 2.0V to $V_{\text{cc}} + 0.3\text{V}$. A high output indicates a transmitter fault caused by either the TX bias current or the TX output power exceeding the preset alarm thresholds. A low output indicates normal operation. In the low state, the output is pulled to $<0.8\text{V}$.
3. Laser output disabled on $T_{\text{DIS}} > 2.0\text{V}$ or open, enabled on $T_{\text{DIS}} < 0.8\text{V}$.
4. Should be pulled up with 4.7k Ω - 10k Ω host board to a voltage between 2.0V and 3.6V. MOD_ABS pulls line low to indicate module is plugged in.
5. Internally pulled down per SFF-8431 Rev 4.1.
6. LOS is open collector output. It should be pulled up with 4.7k Ω – 10k Ω on host board to a voltage between 2.0V and 3.6V. Logic 0 indicates normal operation; logic 1 indicates loss of signal.

VI. Digital Diagnostic Functions

Our transceivers support the 2-wire serial communication protocol as defined in the SFP+ MSA.

The standard SFP serial ID provides access to identification information that describes the transceiver's capabilities, standard interfaces, manufacturer, and other information.

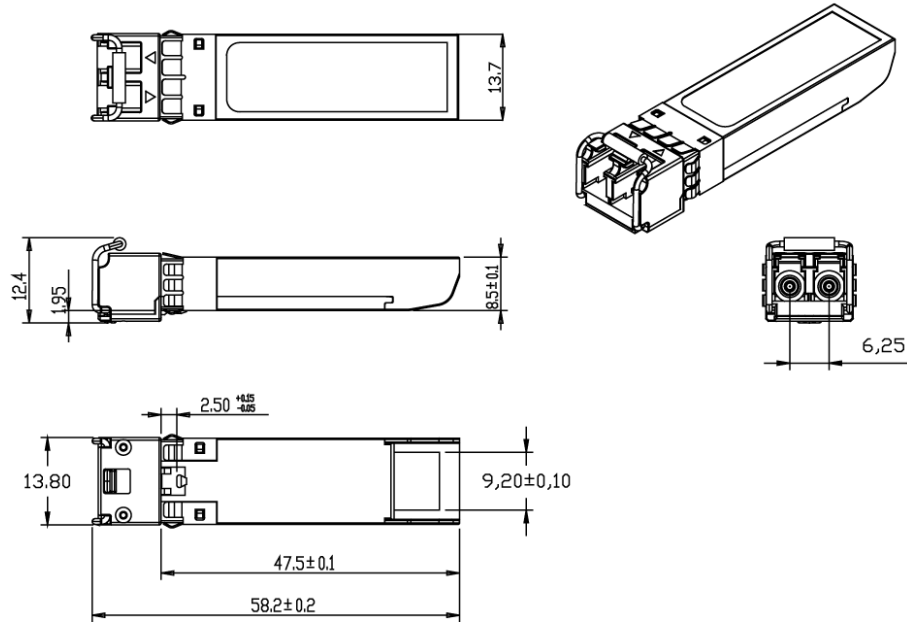
Additionally, our SFP+ transceivers provide a unique enhanced digital diagnostic monitoring interface, which allows real-time access to device operating parameters such as transceiver temperature, laser bias current, transmitted optical power, received optical power and transceiver supply voltage. It also defines a sophisticated system of alarm and warning flags, which alerts end-users when particular operating parameters are outside of a factory set normal range.

The SFP MSA defines a 256-byte memory map in EEPROM that is accessible over a 2-wire serial interface at the 8 bit address 1010000X (A0h). The digital diagnostic monitoring interface makes use of the 8 bit address 1010001X (A2h), so the originally defined serial ID memory map remains unchanged.

The operating and diagnostics information is monitored and reported by a Digital Diagnostics Transceiver Controller (DDTC) inside the transceiver, which is accessed through a 2-wire serial interface. When the serial protocol is activated, the serial clock signal (SCL, Mod Def 1) is generated by the host. The positive edge clocks data into the SFP transceiver into those segments of the E2PROM that are not write-protected. The negative edge clocks data from the SFP transceiver. The serial data signal (SDA, Mod Def 2) is bi-directional for serial data transfer. The host uses SDA in conjunction with SCL to mark the start and end of serial protocol activation. The memories are organized as a series of 8-bit data words that can be addressed individually or sequentially.

VII. Mechanical Specifications

Units in mm



All dimensions are ± 0.2 mm unless otherwise specified.

VIII. Ordering information

Wavelength Code	Part Number	Wavelength (nm)	Frequency (THZ)
63	AB-SFP+-D63-ER	1527.22	196.30
62	AB-SFP+-D62-ER	1527.99	196.20
61	AB-SFP+-D61-ER	1528.77	196.10
60	AB-SFP+-D60-ER	1529.55	196.00
59	AB-SFP+-D59-ER	1530.33	195.90
58	AB-SFP+-D58-ER	1531.12	195.80
57	AB-SFP+-D57-ER	1531.90	195.70
56	AB-SFP+-D56-ER	1532.68	195.60
55	AB-SFP+-D55-ER	1533.47	195.50
54	AB-SFP+-D54-ER	1534.25	195.40
53	AB-SFP+-D53-ER	1535.04	195.30
52	AB-SFP+-D52-ER	1535.82	195.20
51	AB-SFP+-D51-ER	1536.61	195.10
50	AB-SFP+-D50-ER	1537.40	195.00
49	AB-SFP+-D49-ER	1538.19	194.90
48	AB-SFP+-D48-ER	1538.98	194.80
47	AB-SFP+-D47-ER	1539.77	194.70
46	AB-SFP+-D46-ER	1540.56	194.60
45	AB-SFP+-D45-ER	1541.35	194.50
44	AB-SFP+-D44-ER	1542.14	194.40
43	AB-SFP+-D43-ER	1542.94	194.30
42	AB-SFP+-D42-ER	1543.73	194.20
41	AB-SFP+-D41-ER	1544.53	194.10
40	AB-SFP+-D40-ER	1545.32	194.00
39	AB-SFP+-D39-ER	1546.12	193.90
38	AB-SFP+-D38-ER	1546.92	193.80
37	AB-SFP+-D37-ER	1547.72	193.70
36	AB-SFP+-D36-ER	1548.51	193.60
35	AB-SFP+-D35-ER	1549.32	193.50
34	AB-SFP+-D34-ER	1550.12	193.40
33	AB-SFP+-D33-ER	1550.92	193.30
32	AB-SFP+-D32-ER	1551.72	193.20
31	AB-SFP+-D31-ER	1552.52	193.10
30	AB-SFP+-D30-ER	1553.33	193.00
29	AB-SFP+-D29-ER	1554.13	192.90
28	AB-SFP+-D28-ER	1554.94	192.80
27	AB-SFP+-D27-ER	1555.75	192.70
26	AB-SFP+-D26-ER	1556.55	192.60
25	AB-SFP+-D25-ER	1557.36	192.50
24	AB-SFP+-D24-ER	1558.17	192.40
23	AB-SFP+-D23-ER	1558.98	192.30
22	AB-SFP+-D22-ER	1559.79	192.20
21	AB-SFP+-D21-ER	1560.61	192.10
20	AB-SFP+-D20-ER	1561.42	192.00
19	AB-SFP+-D19-ER	1562.23	191.90
18	AB-SFP+-D18-ER	1563.05	191.80
17	AB-SFP+-D17-ER	1563.86	191.70